



DX-1001-W

The DX modular housing arrangement offers a flexible and space conscious solution to integrate our innovative DXO Cartridge in to both new and existing systems. The Delta-Xero system can be configured up to 3 cartridges in parallel as a single unit in a compact and easily maintainable layout.

The unit can be supplied with a number of standard options to provide an effective fluid conditioning and monitoring package to suit the majority of systems. The flexibility of the unit allows tailoring to customer's specific requirements.



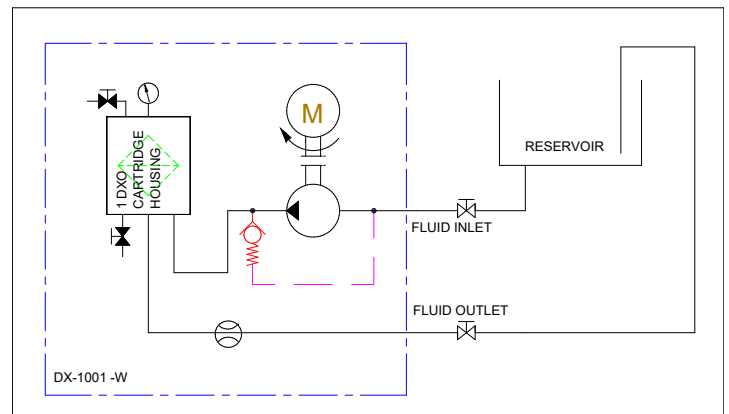
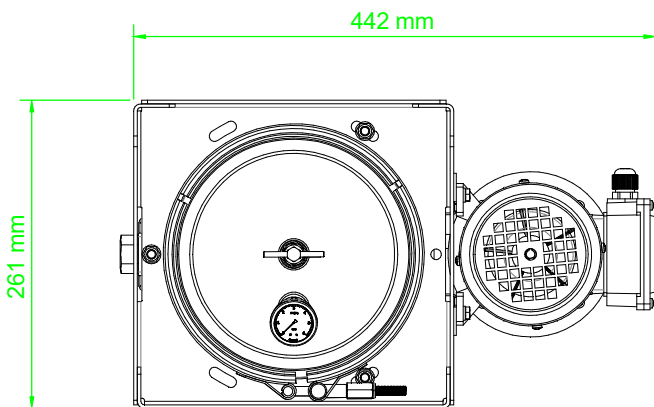
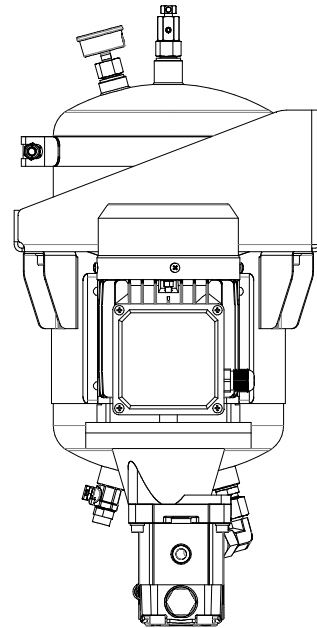
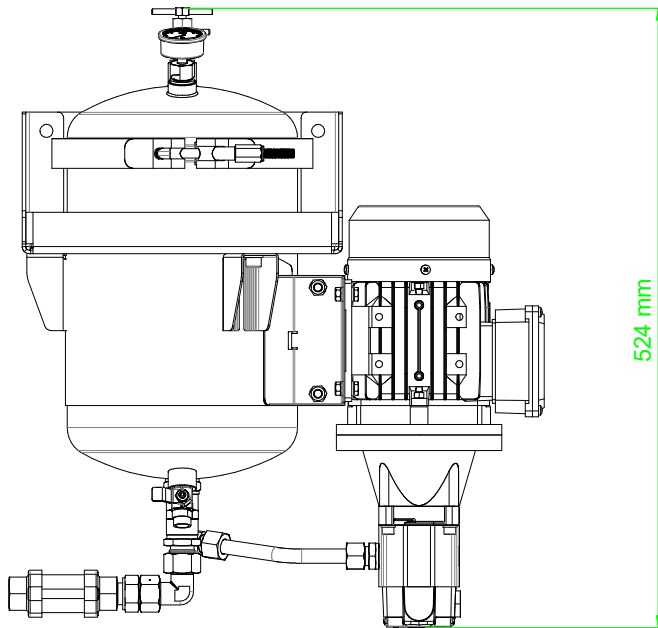
DX1001-W

Drive Input	Electric or Pneumatic
Pump Connection Ports	3/8" BSP In & Out
Flow Indicator	Visual
Max Reservoir Capacity	2000l @ 32cSt
Flow Rate	1 lpm @ 32cSt
Particulate Removal	From 0,1 μ
Weight	15 kg
Measure	H 524 mm x D 261 mm x L 442 mm
Material	SS316
DXO Cartridge QTY	1

© 20 Delta-Xero All Rights Reserved. All information contained in this publication is indicative only and may be subject to change without prior notice.



General Arrangement + Schematic



Cartridge Data: DXO

Contaminated weight:	Up to 7kg
Water holding capacity, free and bound:	Approx. 2600ml
Material insert:	PP Cellulose mix

