

FM090-LCB Centrifuge

Technical Data



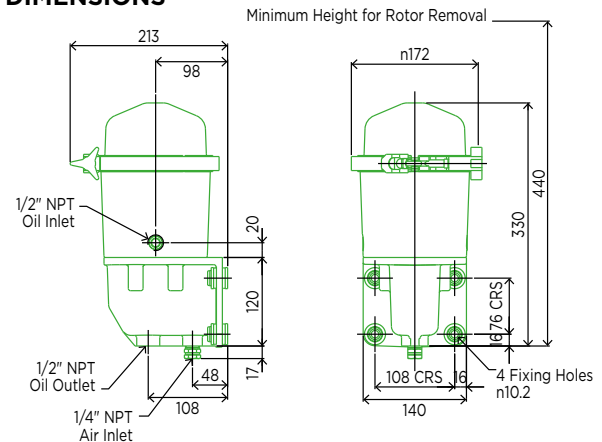
en 0817 © MANN+HUMMEL

Incorporates a level control base for remote mounting

BENEFITS

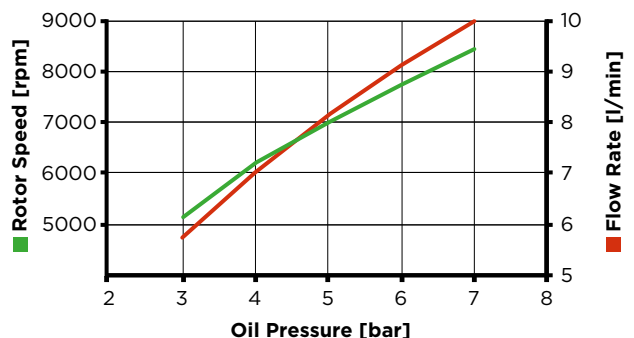
- Cleaner oil and extended oil life
- Lengthens service intervals and reduces application down time
- Reduces engine wear
- Enhances long-term preventative maintenance
- Reduces maintenance costs and total cost of ownership
- Cuts waste disposal costs
- Maximises in-service time for vehicle/engine/machine
- Helps ensure clean combustion and fuel efficiency
- Supports engine technology for the reduction of exhaust emissions (e.g. exhaust gas recirculation)
- Uses compressed air and a float valve assembly to forcibly return the cleaned oil to the engine sump
- Enables remote mounting with a small diameter return hose (e.g. on a vehicle chassis)
- Air consumption is almost nil, air flow to the sump being prevented by the float mechanism
- Prevents oil flow to the air system by a non-return valve

DIMENSIONS



PERFORMANCE CURVES

Typical Rotor Performance for SAE 30 Oil @ 100°C



Model	FM090-LCB Transit
Part number	68 991 36 301
Oil connection	1/2" NPT
Air connection	1/4" NPT
Cut Off Valve (C.O.V.) ratings	1.3 bar*
Net weight	6 kg
Rotor dirt capacity	0.9 litres
Rotor oil capacity	1.125 litres
Maximum air consumption	36 litres/hour
Minimum oil drain pipe size	Ø 12 mm internal
Minimum oil feed pipe size	Ø 9.5 mm internal

*Can be tailored to suit customer requirements
Oil inlet threads can also be tailored to suit customer requirements

Authorised Distributor



t: +44 1264 860186
e: spares@simplexturbulo.com

STC is a member of SIMPLEX ENGINEERING GROUP

Leadership in Filtration

MANN+HUMMEL